



User Manual



alerta[®]
stand200

ALT-PLS200
Stand 200 Powerlifter



UK Version

Contents

Features, warranty & technical service	Page 03
Safety precautions	Page 04
Assembly	Page 07
Operating instructions	Page 09
Sling	Page 10
Maintenance	Page 11
Troubleshooting	Page 13
Technical specifications	Page 17

1. Features, warranty & technical service


This product is intended by the manufacturer to be used on human beings for the purpose of lifting, lowering and moving users. The user should have some mobility and capacity of fastening because the hoist is not destined for long transfer, if not to incorporate/descends users from chair/toilet/bed for changing nappies and/or short transfer.

Our products have a 2-year warranty against any manufacturing fault (12 months in the case of batteries and electrical equipment). If the buyer or the end user allows unauthorized personnel to operate the product or fails to observe the cleaning and maintenance recommendations contained in this manual, all warranty rights and liability claims will be forfeited.

Alerta Medical sells all its products through a network of distributors. In the event of a problem, the end user should contact the DISTRIBUTOR from whom they have purchased the product. Alerta Medical provides distributors with the spare parts needed to undertake maintenance work on the products.

Alerta Medical operates a policy of continuous improvement of all its products. Hence, device specifications may change without prior notice.

2. Safety precautions

Any person using or assembling these items must first read and understand the assembly, operating and cleaning instructions provided. Read all safety information contained in this manual (highlighted with the symbol ) carefully. Failure to follow these instructions may result in damage to property and/or personal injury.

2.1 Recommendations

Familiarize yourself with the safety controls and devices before operating the hoist. Use a sling that is EC marked and check that its size and other characteristics are appropriate to the user. Do not use a sling that is frayed or worn, and always follow the instructions provided with it.

Check that the combined weight of the patient and the sling does not exceed the maximum working load displayed on the hoist.

A loaded hoist should always be used on flat, smooth surfaces that are free of obstacles. If moving a user along a sloping surface, the gradient must not be greater than 5° and it is recommended to use the assistance of a helper. Never leave a hoist loaded with a user on a sloping surface. Transfer the user with the hoist legs in parallel position at a maximum speed of 3 km/h (0.8 m/s). Keep the hoist away from water, humidity, splashes and corrosive atmospheres (indoor swimming pools, the sea, etc.). Do not use the electric hoist in the shower or recharge the battery in the bathroom.

Do not force the safety controls and devices. Do not push the mast, the boom or the user to move the hoist.

2.2 Braking and moving



While the hoist is stationary, **the brakes should always be on, except when lifting or lowering a patient.** If the wheels are free to rotate during these operations, the hoist will find the centre of gravity of the hoist patient unit. On the other hand, if the wheels are locked, the patient will be dragged to the centre of gravity of the hoist patient unit, which will result in discomfort.

2.3 Before moving a user

Consider individual hazards, including:

- Mobility and capacity of fastening of user
- Risk of crushing/squeezing
- Potential falls
- Disturbed users
- Users with learning difficulties
- Small children and pregnant women
- Persons without the mental capacity to recognize unsafe behaviour
- Unauthorized persons

Anybody who is authorized to use the hoist must be able to do so in a safe and controlled way.



Due to the continuous, smooth lifting action of the moving parts, there is risk of entrapment. When operating these parts, the user and/or the carer must make sure that there are no body parts in the areas where they may become trapped.

2.4 Electrical safety precautions



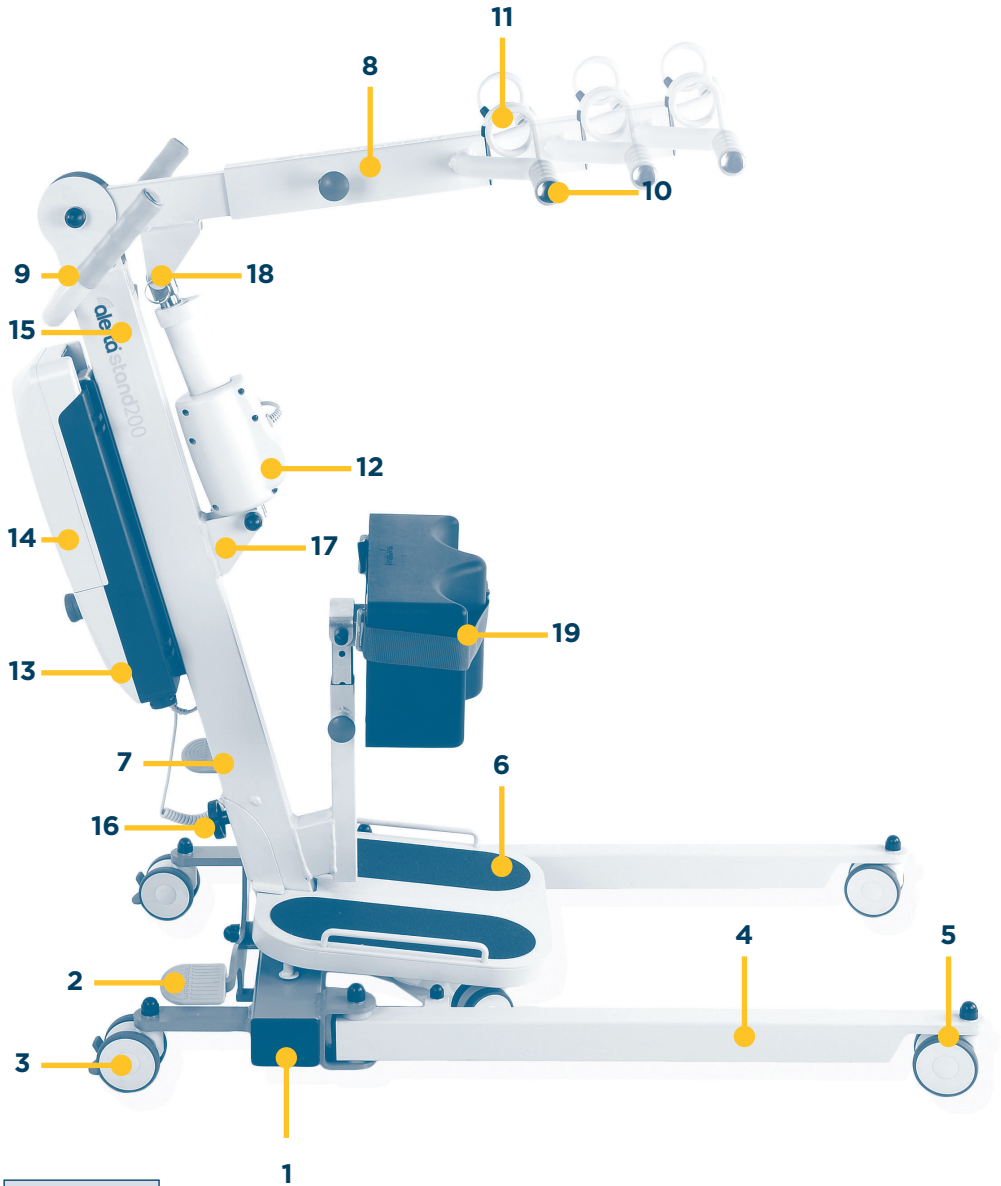
All the hoist's electrical connections must comply with the International Electrotechnical Commission (IEC) standards. The power supply should be equipped with an earth-leakage circuit breaker with a maximum operating current of 30 mA, as prescribed by standard IEC 364-5-53.

This product complies with the standards EN 60601-1 and EN 60601-1-2 on electrical apparatus and the electromagnetic interference of medical devices. Therefore, it does not interfere or is not interfered when combined with other medical devices that also comply with the electromagnetic standards.



Before moving the hoist, make sure the power supply cable is unplugged from the mains. Any work on electrical parts may only be undertaken by authorized, qualified personnel.

Model Alerta Stand 200 Powerlifter



Picture 1

3. Assembly



No tools are necessary to assemble the hoist, although some parts are considerably heavy. It is therefore advisable to use the assistance of a helper when handling such parts. Pay attention to avoid being knocked or trapped.

3.1. Components

Carefully remove the packaging and place the two pre-assembled structures supplied in a clear area. (Picture 1)

BASE STRUCTURE

1. Mast base
2. Pedals
3. Back castors (with brake)
4. Legs
5. Front castors (without brake)

PLATFORM

6. Platform feet

MAST - HANDLE STRUCTURE

7. Mast
8. Telescopic boom
9. Handle for carer
10. Handle for patient
11. Support for sling
12. Electric motor
13. Battery charging base
14. Removable battery
15. Remote control
16. Locking knob (initially on mast base)
17. Mast bracket (actuator lower support)
18. Boom bracket (actuator top support)
19. Support for knees

3.2 Joining the pre-assembled structures

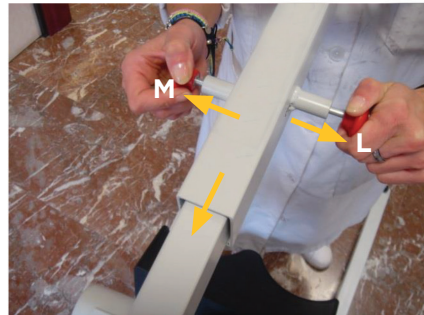
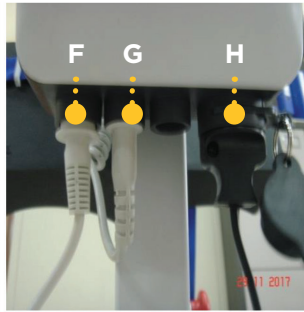
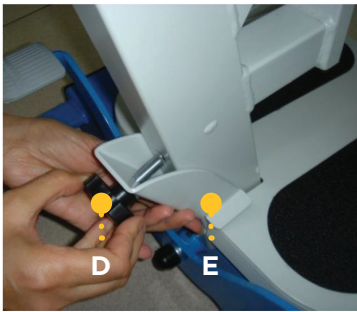
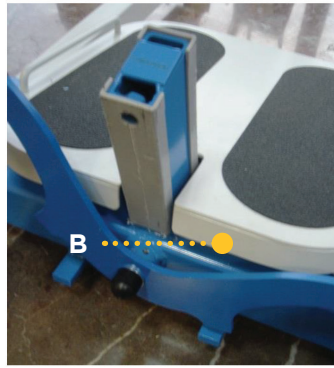
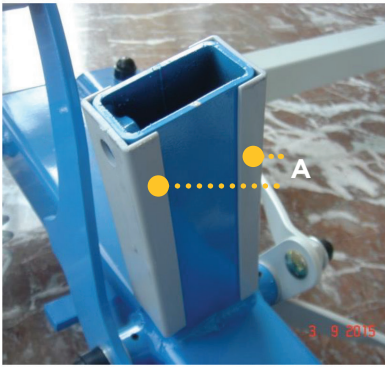
Remove packaging carefully.

Please refer to page 8.

Place the base structure on the ground with the back casters braked. Insert the platform by inserting the two bolts (B) into the holes in the mast base. **DO NOT REMOVE THE GREY PLASTIC PIECES (A) OF THE MAST BASE.** Remove locking knob (D) and insert mast-handle structure (C) into base structure. Finally place the metal flange (E) that adjusts the assembly by the locking knob (D), making sure that it is firm and tight. Check that the legs open and close normally and that the casters rotate correctly.

The electric actuator is not supplied and assembled on the hoist in the factory. If you need to assemble the actuator, loosen the ring (J) securing the pin (K). To disassemble do the opposite operation.


Connect **FIRMLY** in the base of the charger the remote control (F) and the linear actuator (G).



4. Operating Instructions

4.1 Recommendations

To spread the legs, step on the left pedal. To narrow the legs, step on the right pedal. While transferring users and to negotiate doors and confined corridors, the legs should preferably be narrowed.



Lifting and lowering the user is achieved by the electric actuator's action on the hoist boom. These movements are easy to control using the two buttons (up and down) provided on the hand control. When the boom reaches the upper or lower limit of its run, it stops automatically.

When lifting or lowering a user, it is recommended to press and hold the relevant button. Repeatedly pressing and releasing the buttons will cause the actuator motor to start and stop each time, using more battery and shortening its operating lifetime.

The electrical system includes an emergency stop red button. When the red button is in the out position, the battery will operate normally. When the red button is depressed, the power from the battery is cut off. To reset the button to the out position, turn it clockwise and release.

The knee's support is adjustable: allowing five different heights (50, 54, 58, 62 and 66 cm from floor).


This support is adjustable to guarantee the best support for knees adapting to each user. It has a strap with safety lock in case it is necessary to adjust the legs of the user. The boom of the crane is telescopic (see page 4) to adapt to different measurements (5 positions every 30 mm). To SHORTEN the boom, release the safety button (M) and the button (L) and slide the mobile boom

towards the mast. To EXTEND the arm, release the button (L) and slide the mobile boom outwards and position it as much as you want. The security button (M) will remain fixed in the last position.


4.2. Recharging battery

If you only have one removable battery and one charging base, place the hoist near an electric socket, connect the power supply cable to the charging base and plug into the mains (220V).


While the battery is charging the actuator fails, the emergency stop should not be pressed and green LEDs "on" lights. The battery indicator lines flash. When fully charged the 4 battery indicator lines will remain fixed. The green "on" light will remain on until you disconnect from the network.



If the hoist is used daily, it is recommended to recharge the battery during the night. The charger will not allow the battery to overcharge.



When not using the hoist, it is recommended to recharge the battery at least once every three months to ensure it is always in good working condition.



Do not disconnect the black charger jack plug by pulling the cable. When not recharging the battery, it is recommended to keep the mains cable plugged into the charging base to prevent any liquids accidentally entering the socket.

If you have an extra charging base, you can remove the battery from the charging base mounted on the hoist and charge it using the extra charging base, suitably located near a mains electricity socket.

4.3. Changing the battery

To remove the battery from the charging base, hold the upper handle, press and remove carefully off its support. To place the battery back in the charging base, slide it on position, join the upper handle on the support until you hear a click.

4.4. Overload

Control box beeps twice if the actuator is overloaded (above the current limit). Start work after some minutes when the overload will be eliminated. Work cycle approx. 2 minutes in continuous use and 18 minutes in break.

4.5. Improper use

Improper use of this hoist may result in injury to the users and/or damage to the device, in addition to invalidating the warranty. Examples of improper use are.

- Use by persons who have not read this user manual and/or who have not been trained by a member of the authorized personnel.
- Use of the hoist, functions, accessories or movement by persons not qualified to operate the device safely.
- Use of the electrical functions by more than one person simultaneously.
- Use with a load exceeding the maximum working load displayed on the hoist.
- Faulty connection to the mains when charging the battery.
- Connecting any devices to the hoist that have not been authorized by the manufacturer.
- Pulling the power supply cable to move the hoist.
- Cleaning the hoist with excessive water, pressure jets or in a wash-tunnel.
- Using the hoist outdoors or to move a patient inside a vehicle.
- Using the hoist on soft, unprepared terrain.

- Using the hoist on terrain with a slope gradient greater than 5° (loaded with a patient).
- Extreme, intensive use of the actuator failing to observe the maximum working load displayed on the label.
- Using devices and/or accessories other than those recommended by the manufacturer.
- Any other use of the hoist that is not in accordance with its intended purpose.
- Not respecting work cycles: 2 minutes in continuous use and 18 minutes in rest.

5. Sling

5.1. Sling safety and maintenance

Choosing the right size of sling and correctly fitting it on the area requiring treatment are crucial to ensure its purpose is fulfilled safely and efficiently, with a satisfactory lifetime. Bear in mind that a loose sling may diminish its therapeutic efficacy and an excessively tight sling may have an adverse effect on blood circulation and/or illnesses other than those you set out to treat.

SAFETY Never use with loads exceeding the maximum working load of the hoist (as displayed on the hoist).

Before using a sling on a user, check that it is in perfect working condition. It is recommended to use it previously on healthy persons to be-come familiar with its use.

Do not use the sling if it appears torn, worn, frayed or distorted.

5.2. Positioning of sling to user

Incline the user to the front and check if they are well-fastened to reduce risk of fall.

Put sling under the back of user, in the middle, with the opening in symmetrical position with

the axis of vertebral column.

Adjust the belt for better security.

5.3. Raising up of user

Before lifting the user, recline user's back and check if the sling is correctly fastened. If some element is not correct, take down the user and correct the problem.

Use the remote control for lifting the user.

5.4. Transport of patient

During transport with the user in sling, DO NOT slide the hoist in irregular floor because could knock over the hoist.

ALWAYS use the handle to move the hoist.
Move user with the legs closed.

5.5. Lowering User

Move hoist to (wheelchair, chair, toilet, bed...) where you want to move the user to.

Use remote control for lifting. Be sure that the user is secure.

- Dry the hoist thoroughly before using again.
- Use clean cloths, disposable or recyclable.
- Use a diluted solution of detergent or disinfectant, or a spray-on disinfectant.

6. Maintenance

6.1. Cleaning and disinfecting

- Make sure the hoist is immobilized and disconnected from the electricity mains.
- Press the red stop button to shut off the electrical functions.
- Never clean the hoist with copious water, with a high-pressure jet or in a wash-tunnel.
- Do not use water at a temperature above 60° C.
- Avoid any excess water on the connector sockets.

6.2. Safety rules for maintenance

Maintenance operations may only be performed by duly qualified and authorized technical personnel. Contact your local Alerta Medical distributor for any specific issue in connection with maintenance and/or servicing.

Before performing any maintenance or repair operation:

- Make sure the hoist is immobilized (if no movement is envisaged) and disconnected from the electricity mains.
- Press the red stop button to shut off the electrical functions.
- Do not under any circumstances open or puncture an electric motor.

6.3. Preventative Maintenance

It is advisable to carry out a yearly maintenance check of the hoist and its accessories to ensure they are kept in good working order. Special attention should be paid to the following aspects:

- Operating controls and mechanisms.
- The hinges where the hoist and accessories move.
- The condition of the electric cables and the water-tightness of the electrical devices.
- The condition of the sling (wear and fraying, tears, distortion, etc.).

It is recommended to grease the hoist's hinges regularly.

Adapt the frequency and intervals of maintenance checks to the condition of the hoist, the specific circumstances of its use and, in line with the local laws.

6.4. List of spare parts

On request, electrical equipment (battery, actuator, control unit, charging cable or control box), harness, wheels and other components of the metal structure of the crane can be replaced.

6.5. Transport and storage

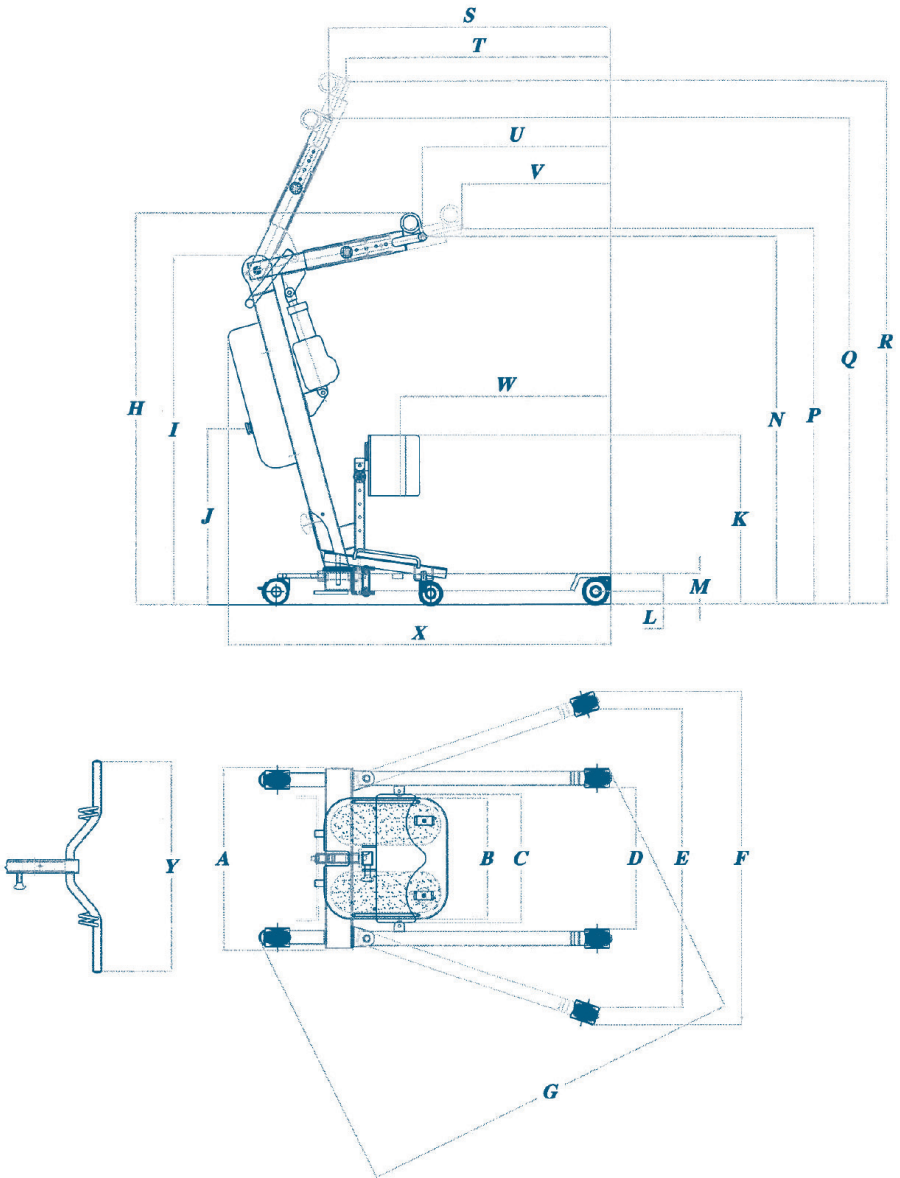
During transport, the hoist must be in the low position, with its functions disconnected and the brakes on the wheels on. Additionally, it must be secured with straps and protected against water and humidity (75%), at a temperature between -20°C and +50°C.

7. Troubleshooting

PROBLEM	CAUSE	REMEDY
The actuator is not working	The red emergency stop is activated	Turn the red button clockwise to reactivate
	The battery is connected to the electricity mains for recharging	Unplug the black power supply
	The battery is low	Recharge the battery
	The battery is not properly connected	Remove the battery and replace it
	Control or motor cables wrong connected	Insert the cables correctly to the bottom
	Hand control and/or actuator failure	Replace the hand control and/or the actuator
The battery will not charge	Mains failure	Check mains supply
	Malfunctioning battery and/or charging base	Replace the battery and/or the charging base
The actuator stops	Hoist overloaded	Reduce the load and wait a few minutes
	The battery is low	Recharge the battery
Noisy hinges	Lubrication is required	Apply lubricant to the hinges
The mast has too much clearance with the mast base	The grey plastic pieces of the mast base are been removed or broken	Put the grey plastic pieces on the mast base again
The wheels do not rotate or brake properly	Dirty	Clean the wheels

8. Technical specifications

Stand 200 Powerlifter



Stand 200 Powerlifter

Approx. size (cm)	A	B	C	D	E	F	G	H	I	J	K	L
	54	36	38	43	90	99	114	114	104	51	50-66	4
	M	N	P	Q	R	S	T	U	V	W	X	Y
	10	108	109	147	158	88	83,5	55	43	108	113	62,5

- Height: minimum 114cm (H) maximum 158cm (R)
- Length: 113cm (X)
- Internal width at maximum reach: 77cm
- Reach from base with legs spread to 700mm: 57cm
- Maximum reach from base: 6cm
- Maximum reach at 600mm (benchmark): 5cm
- Turning radius: 135cm
- Maximum working load 200kg (including sling)
- Sound pressure <55 dBA
- Total weight (unloaded): 34kg
- (Base structure: 16.5kg) – Mast-boom structure: 17.5kg)
- Duty cycle: 2' on /18' off
- Battery charge: 40 complete cycles
- Expected operating lifetime: 11,000 cycles at maximum working load (adhering to the maintenance and storage guidelines set out above)
- Operating forces
Finger <5 N Hand/arm <105 N Foot <300 N

CE EU 2017/745



CS Lifesciences Europe Ltd

The Black Church
St. Mary's Place
Dublin 7
D07 P4AX
Ireland

eurep@cslifesciences.com

Rev: 2021.10

Making **cutting-edge** medical equipment **affordable**

Head Office

Alerta Medical
4 Symington Place
Riverside Business Park
Irvine
KA11 5DE
United Kingdom

www.alertamedical.com

